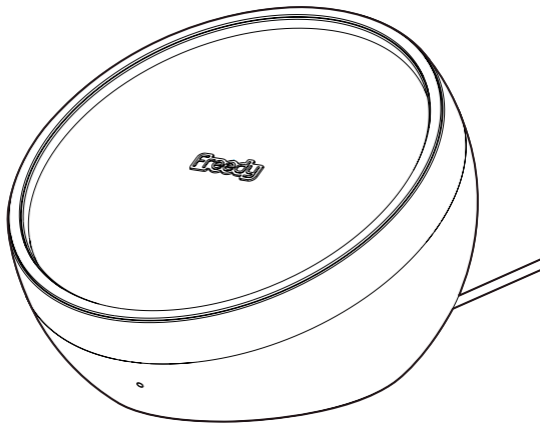


Flex 15W Wireless Charging Stand

Freedy

EA1203



KC : R-RMM-kma-EA1203
FCC ID : 2ACCCEA1203

141, Gangseo-ro 56ga-gil, Gangseo-gu, Seoul, Republic of Korea (07582)
www.myfreedy.com

© 2018 Freedy. KMT SYSTEM Co.,Ltd.All rights reserved
Made in Korea

Safety Information

- Please read these information prior to using the device to ensure safe and proper use.
- Recommended to use only with the cable or power adaptor provided together along with the device in this package. Using cables or power adaptors from being damaged may cause unexpected malfunctions.
- Any magnetic or metallic object may generates heat and cause unexpected malfunctions.
- Do not disassemble, modify, or attempt to replace any part of the wireless charger.
- Do not use the device in circumstances with high temperature, sunlight or any other type of heat
- This product is intended for the use indoors only such as home and office.
- Keep away from any harmful liquid or water.
- Unplug the power cable from the power source if you experience any unexpected problem or visible defects while using the device, and contact Freedy for assistance.

사용 전 주의사항

- 안전하고 올바른 사용을 위해 제품 사용 전 안내를 반드시 읽어주시기 바랍니다.
- 본 패키지에 포함된 케이블 또는 전원어댑터 사용을 권장합니다. 기타 다른 케이블 또는 전원어댑터 사용 시 고장의 원인이 될 수 있습니다.
- 자성이 있거나 금속재질의 물체가 제품에 올려질 경우에 발열 또는 다른 예상치 못한 문제가 발생할 수 있습니다.
- 제품의 분해, 개조, 변형을 하지 마십시오.
- 고온, 직사광선, 또는 기타 열이 많은 환경에서는 사용하지 마십시오.
- 본 제품은 가정 또는 사무실 등 실내에서 사용하도록 설계되어 있습니다.
- 유독 화학물질 또는 수분에 노출된 환경에서는 사용하지 마십시오.
- 만약 예상하지 못한 사용상 문제나 결함이 발견되었을 때에는 즉시 전원 케이블을 분리하여 작동을 멈추고 고객센터에 문의하시기 바랍니다.

安全上のご注意

- 安全にご使用頂くために、本製品をご使用になる前にこれらの情報をお読みください。
- 同梱されている専用ACアダプターで必ずご使用ください。損傷したケーブルやACアダプターすると、予期せぬ誤動作の原因となることがあります。破損した場合は使用を中止してください。
- 磁性体や金属体は発熱し、予期せぬ誤動作の原因となります。
- 本製品を分解したり、改造したり、部品を交換したりしないでください。
- 直射日光があたる場所や高温の環境で、本製品を使用しないでください。
- この製品は、家庭やオフィスなど屋内での使用を目的としています。
- 有害な液体や水は、避けてください。
- 異音、異常に熱い、焦げくさい臭がするなど、予期せぬ問題や目に見える不具合が発生した場合は、コンセントからACアダプターを抜き、当社へお問い合わせください。

Warranty

- Freedy sells its products with the intent that they are free of defects in manufacture and workmanship for two year from the date of original purchase. Please keep a purchase receipt as proof of purchase.

- Freedy warrants that its product will be free of defects in material and workmanship under normal use and service.

- This warranty does not cover any damage caused by misuse or abuse; accident; alternation to the product; Improper installation; unauthorized repairs or modifications; Improper use of wall adaptor; or any other conditions whatsoever that are beyond the control of Freedy.

- This warranty does not extend to the purchase of opened, used, repaired, repackaged and/or resealed products, including but not limited to sale of such products on any on-line shop and/or sales of such products by surplus or bulk resellers. Any and all warranties or guarantees shall immediately cease and terminate if the product has been modified or altered by anyone except for Freedy.

제품 보증

- Freedy는 2년간의 제품보증 정책을 제공합니다. 구매확인을 위한 구매영수증을 보관하여 주십시오.

- 제품보증은 제품 오염, 임의 변형, 임의 수리 또는 수정, 부적절한 파워 어댑터의 사용, 혹은 어떠한 다른 형태의 사용으로 인한 불량 발생시 적용되지 않습니다.

- 제품보증은 허가받지 않은 판매자로부터 판매된 중고, 수정품, 재포장 제품 등에는 적용되지 않습니다. Freedy를 제외한 다른 누군가로부터 이루어진 제품의 변형, 수정 등이 확인될 경우 제품보증에 제공되지 않습니다.

保証

-本製品は、購入日から2年間保証しております。レシートなど購入日を証明するものを保存頂きますようお願いいたします。

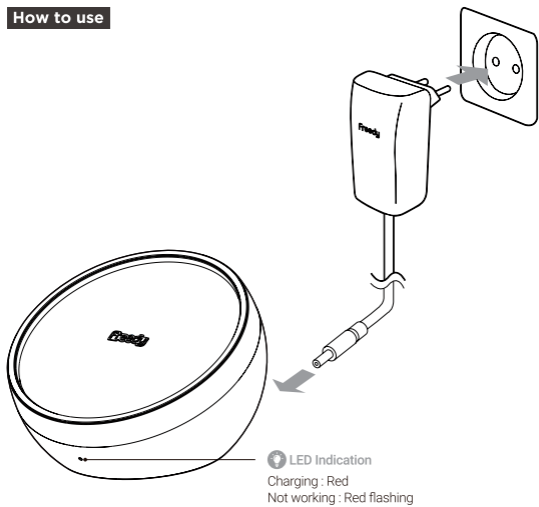
-当社は、通常のご使用において、製品の材料および構造上に欠陥がないことを保証します。

-この保証は、誤用または濫用に起因する損害には適用されません。事故、部品の交換、不適切な取付け、不正な修理や改造、コンセントの不適切な使用など、当社の管理を超えたその他の条件が含まれます。

-この保証は、開封済で販売されているもの、中古品、補修され再包装された製品には適用されません。オンラインショッピングや再販業者で購入されたそのような製品にもこの保証は適用されません。当社以外の者によって製品が改造または変更された場合、すべての保証は直ちに終了します。

本製品について使い方がわからない場合や異常があった場合は、まずFreedyサポートサイトへお問い合わせください。

How to use



Specification

Input	DC 12V/2A
Output	Max 15W
Charging Distance	5mm
Frequency	110 ~145 kHz
Size	Ø: 95.1mm x H: 68.7 mm
Weight	162g

Notice

- Please use the power adaptor provided in the package.
- Please make sure the product is properly connected to the power before using.
- Please do not place any metallic or magnetic object on the charging area of the product. It may cause serious malfunctions.

사용 시 주의사항

- 본 패키지에 동봉된 전원 어댑터를 사용하시기 바랍니다.
- 사용 전 전원연결이 잘 되어 있는지 확인해 주시기 바랍니다.
- 금속재질 또는 자성이 있는 물체를 충전영역 위에 놓지 마십시오. 오작동의 원인이 될 수 있습니다.

使用前の注意事項

- 本パッケージに同梱された専用ACアダプターをご使用ください。
- 本製品の使用前に電源が接続されていることを確認してください。
- 金属材料または磁性がある物体を充電領域の上に置かないでください。誤動作の原因になることがあります。
- うまく充電できない場合は、スマホの中心がFreedyのマークの部分に来るように置いてください。

FCC Statement

We, Freedy, declare under our sole responsibility that this product complies with Part 15 of the FCC Rules. Operation is subject to the following conditions: (1) this device may not cause harmful interference, and (2) this device must accept any interference received including interference that may cause undesired operation. This equipment has been tested and found to comply with the limits for a Class B digital device, pursuant to Part 15 of the FCC Rules. These limits are designed to provide reasonable protection against harmful interference in a residential installation. This equipment generates, uses and can radiate radio frequency energy and, if not installed and used in accordance with the instructions, may cause harmful interference to radio communications. However, there is no guarantee that interference will not occur in a particular installation. If this equipment does cause harmful interference to radio or television reception, which can be determined by turning off and on, the user is encouraged to try to correct the interference by one or more of the following measures;

- Reorient or relocate the receiving antenna
- Increase the separation between the equipment and receiver.
- Connect the equipment into an outlet on a circuit different from that to which the receiver is connected.
- Consult the dealer or an experienced radio / TV technician for help.

Any changes or modifications not expressly approved by the party responsible for compliance could void the user's authority to operate this equipment.

This appliance and its antenna must not be co-located or operation in conjunction with any other antenna or transmitter.

A minimum separation distance of 20cm must be maintained between the antenna and the person for this appliance to satisfy the RF exposure requirements.

※日本以外のお客様

※日本のお客様は、まず下記へメールでお問い合わせください。

Customer Service

<http://www.myfreedy.com>

Telephone : 82-31-999-3999

Freedy サポートサイト

<http://www.miraisell.com/freedy/support>

E-mail : freedy@miraisell.com